

PRODUCTPROFILE

Catalogue number:

Partnumber: 761870

RJ45 Keystone Cat. 6A ISO/IEC
shielded for AWG 27-26 stranded wire

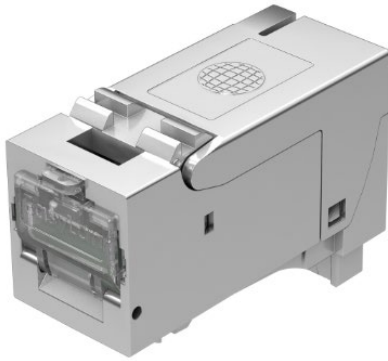


Related documents:

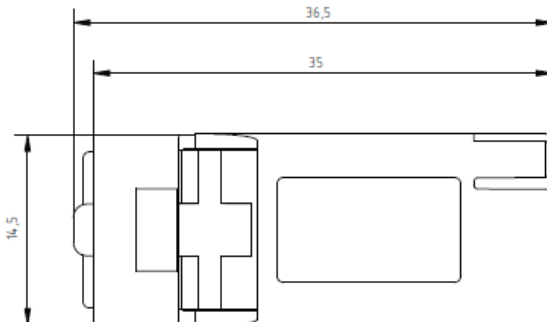
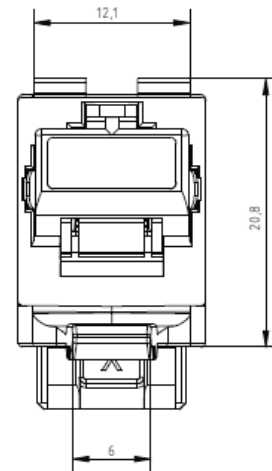
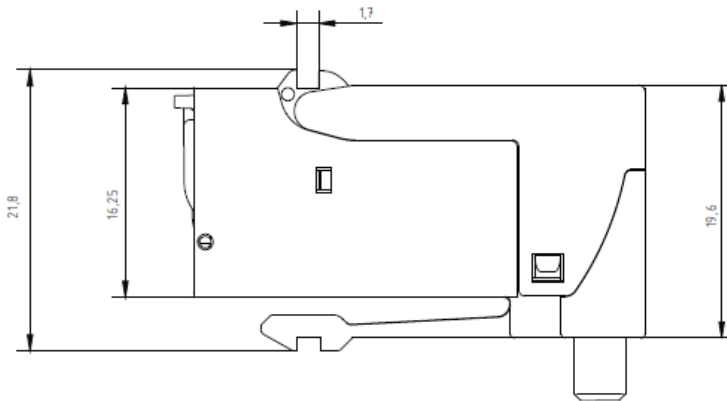
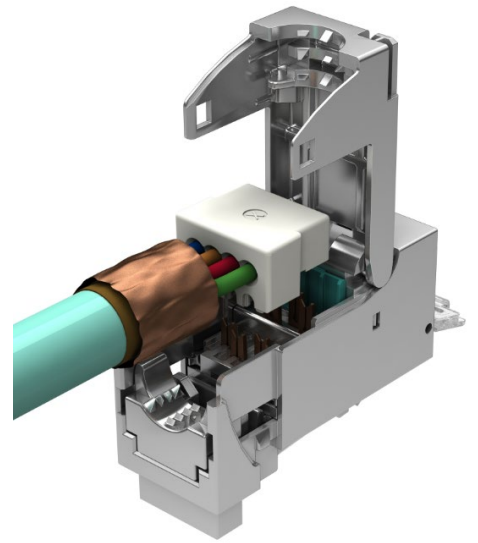
DS_RJ45-KEYSTO-C6A-AWG27-26_OE DS_RJ45-Keystone-C6A-AWG27-26 _oe
GHMT_Z5961X-XX-E GHMT-Zertifikat_RJ45-Keystone-C6A_z5961x-xx-E

RJ45 Keystone Cat. 6A ISO/IEC shielded for AWG 27-26 stranded wire

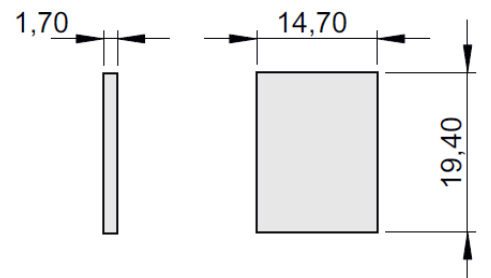
800A0003



GHMT PVP certificate
No.: c5961X-XX



Gap size



All dimensions are in mm; tolerances acc. ISO 2768 m-H

Dieses Dokument ist urheberrechtlich geschützt • This document is protected by copyright • Rosenberger OSI GmbH & Co. OHG

Technical Data

Connector standard	IEC 60603-7-51
Transmission performance:	
10 Gigabit Ethernet acc. to IEEE 802.3an	adequate
Categorie 6A	ISO/IEC 11801 and DIN EN 50173-1
Class EA	acc. to ISO/IEC 11801 Amendment 1 / 2; link length typ. > 2m; in combination with CP-cable CP-Link typ. > 10m; 10GBE is supported
Electrical characteristics:	
Contact resistance	≤ 20 mΩ
Insulation resistance	≥ 500 MΩ
Voltage proof contact-contact	≥ 1000 V (DC)
Voltage proof contact-shield	≥ 1500 V (DC)
Current carrying capacity at 50 °C	1,25 A
PoE acc. to IEEE 802.3at and IEEE 802.3bt	compliant
GHMT PoE Typ III / IV DIN IEC 60512-99-001:2015 & DIN IEC 60512-9-3:2010	tested
Transfer impedance at 1 MHz	≤ 100 mΩ
Transfer impedance at 10 MHz	≤ 200 mΩ
Transfer impedance at 80 MHz	≤ 1600 mΩ
Mechanical characteristics :	
Mating cycles	≥ 750
Insertion force	≤ 30 N
Conductor diameter	stranded 0,457 - 0,483 mm ; AWG27/7 - AWG26/7
Insulation diameter	5 to 9 mm
Reusability (Module)	≤ 5 cycles with same diameter
Materials:	
Housing	zinc diecast
Strain-relief sliver	zinc diecast
Surface	nickel plated
Shield spring	stainless steel
PCB	FR-4
PCB finish	HAL lead-free
Contacts	spring steel
Contact finish	1,27 μm Au
Insulation housing	PA light green RAL6027
Contact support plate	PC white RAL 9010
Dust protective flap	PC transparent
IDC	CuNi2Si
IDC finish	min. 3 - 6 μm Sn
Environmental requirements:	
EU Directive 2002/95/EC (RoHS)	RoHS-compliant
Particle ingress protection	IP2X
Water ingress protection	IPX0
Ambient temperature	-40 to +70 °C
Packaging material	Bio-degradable

While the information has been carefully compiled to the best of our knowledge, nothing is intended as representation or warranty on our part and no statement herein shall be construed as recommendation to infringe existing patents. In the effort to improve our products, we reserve the right to make changes judged to be necessary.

Draft	Date	Approved	Date	Rev.	Engineering change number	Name	Date
H. Jungbäck	2016-12-13	P. Maier	2016-12-13	003	---	H. Jungbäck	2020-25-11